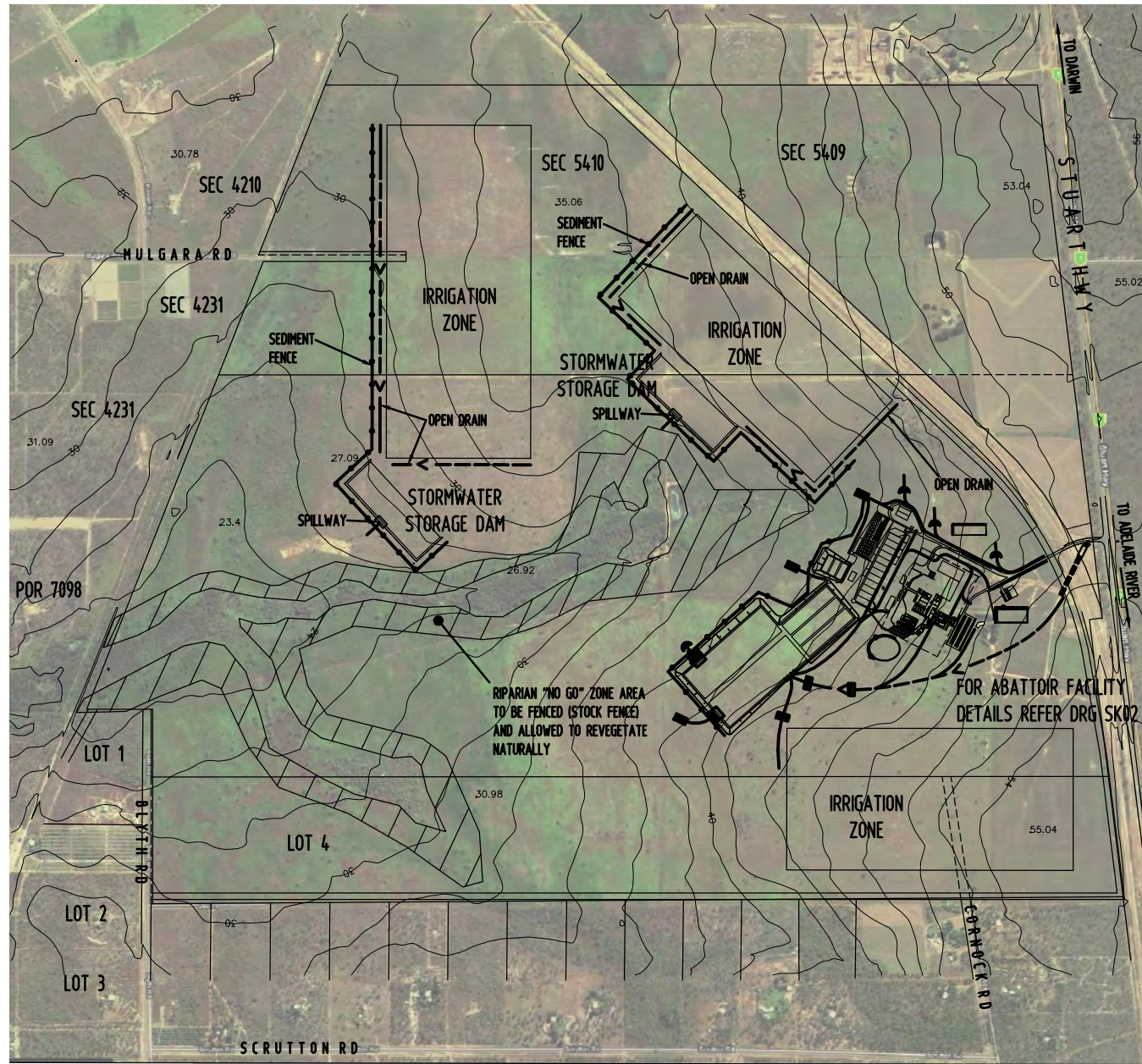


Annexure 4
Stormwater and Erosion and
Sedimentation Control Plan

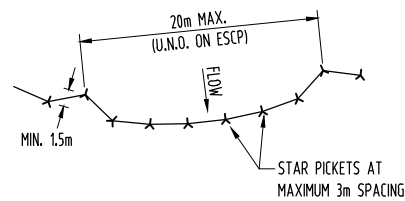
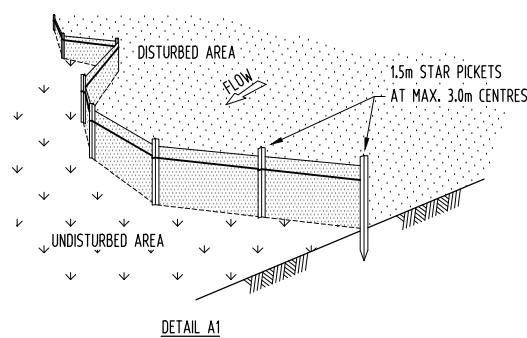


PLAN

Scale 1:10000 A1 0 100 200 300 400 500 Metres

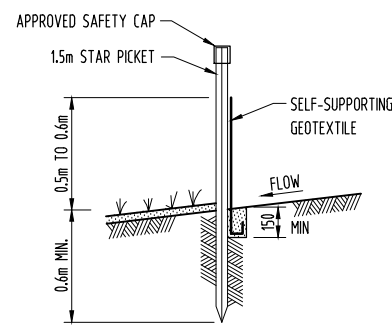
SEDIMENT FENCE CONSTRUCTION NOTES:

1. CONSTRUCT ALL SEDIMENT CONTROL FENCES ALONG THE CONTOUR WHERE POSSIBLE.
2. WHERE SEDIMENT CONTROL FENCES ARE NOT CONSTRUCTED ALONG THE CONTOUR INCORPORATE RETURN PANELS AT REGULAR INTERVALS NOT EXCEEDING 20m.
3. ALL STAR PICKETS SHALL INCORPORATE APPROVED SAFETY CAPS
4. DIG A 150mm DEEP TRENCH ALONG THE UPSLOPE LINE OF THE FENCE FOR THE BOTTOM OF THE FABRIC TO BE ENTRENCHED. BACKFILL TRENCH OVER BASE FABRIC. FIX SELF-SUPPORTING GEOTEXTILE TO UPSLOPE SIDE OF POSTS WITH WIRE TIES OR AS RECOMMENDED BY GEOTEXTILE MANUFACTURER. JOIN SECTIONS OF FABRIC AT A SUPPORT POST WITH A 150mm OVERLAP.
5. WHERE APPROVED BY THE SUPERINTENDENT DUMP ROCK MAY BE USED TO ANCHOR THE GEOTEXTILE IN LIEU OF A TRENCH.

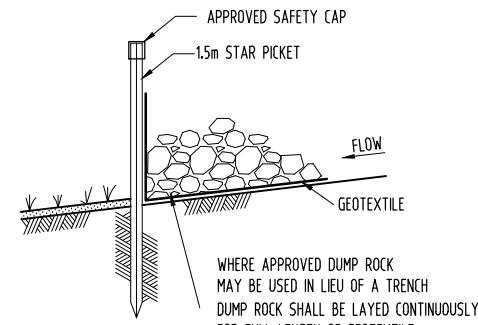


DETAIL A1

DETAIL A2



STANDARD FENCE INSTALLATION & ANCHOR DETAIL



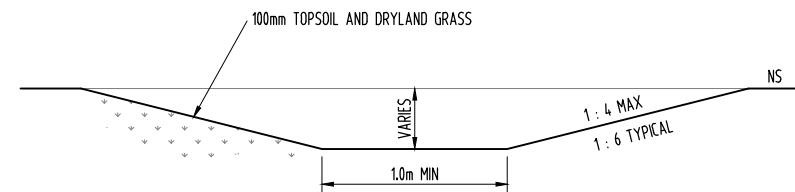
ALTERNATIVE FENCE INSTALLATION AND ANCHOR DETAIL

SEDIMENT FENCE INSTALLATION DETAILS

N.T.S.

GENERAL NOTES

1. TOPSOIL SHALL BE STRIPPED AND STOCKPILED FOR REUSE.
2. SPREAD STRIPPED MATERIAL OR TOPSOIL 100mm MIN THICK ON ALL BATTERS AND DRAINS, AND GRASS WITH DRYLANDS GRASS.
3. ALL OPEN DRAINS SHALL BE TRAPEZOIDAL IN SHAPE WITH 1 IN 4 MAX. BATTERS OR AS NOTED OTHERWISE.
4. ALL CULVERT ENDWALLS SHALL HAVE OUTLET PROTECTION SUCH AS REND MATTRESSES, DUMP ROCK ON GEOTEXTILE FABRIC OR GROUTED STONE PITCHING AS DOCUMENTED. PROVIDE GROUTED STONE PITCHING AROUND HEADWALLS.
5. ALL INLETS TO LETTER BOX PITS SHALL HAVE GROUTED STONE PITCHING AS PER STD DRG C151010



TYPICAL TRAPEZOIDAL DRAIN

N.T.S.

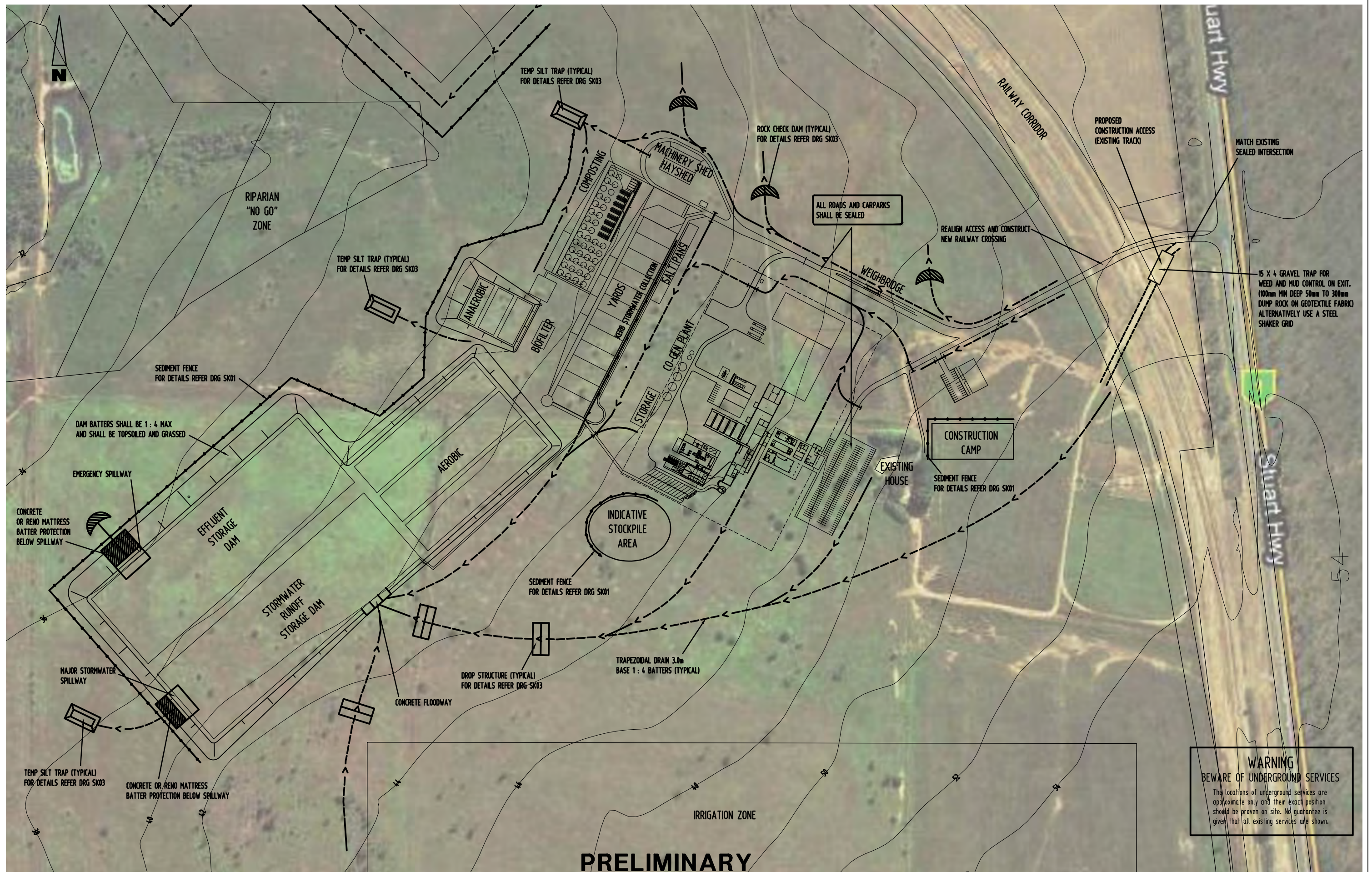
EROSION CONTROL

1. THE CONTRACTOR SHALL BE RESPONSIBLE FOR THE CONTROL OF ALL TRAFFIC INTO AND OUT OF THE SITE, INCLUDING THE MOVEMENT OF CONSTRUCTION TRAFFIC WITHIN THE SITE AND SHALL MAINTAIN DUST SUPPRESSION MEASURES TO THE SATISFACTION OF THE SUPERINTENDENT.
2. BEFORE CLEARING COMMENCES AREAS OF VEGETATION NOMINATED FOR PROTECTION SHALL BE FLAGGED OR FENCED AND INSPECTED BY THE SUPERINTENDENT. CLEARING OF VEGETATION SHALL BE RESTRICTED TO THE NOMINATED AREAS.
3. STRIPPED TOPSOIL SHALL BE STOCKPILED FOR REUSE AT LOCATIONS NOMINATED ON THE DRAWINGS. WHERE AVAILABLE SPACE ALLOWS STOCKPILE HEIGHTS ARE TO BE 2.0m MAX WITH 1 IN 4 BATTERS.
4. SILT FENCING SHALL BE INSTALLED BEFORE COMMENCING EARTHWORKS. ALL OTHER EROSION CONTROL DEVICES SHALL BE INSTALLED UPON COMPLETION OF EARTHWORKS OR AS DIRECTED BY THE SUPERINTENDENT. REPAIR THE AREA EROSION PROOF WITHIN 14 DAYS OF COMPLETION.
5. SILT FENCING SHALL BE PLACED ON CONTOUR WHEN POSSIBLE. WHEN NOT POSSIBLE INSTALL RETURN PANELS AT REGULAR INTERVALS OF 20m MAX.
6. ALL DISTURBED AND UNSEALED AREAS SHALL BE DAMPENED AND ROLLED TO SEAL THE SURFACE TO MINIMISE DUST.
7. ALL TEMPORARY EARTH BERMS AND DIVERSION EMBANKMENTS SHALL BE MACHINE COMPACTED AND MAINTAINED TO THE SATISFACTION OF THE SUPERINTENDENT.
8. INSTALL ALL EROSION CONTROL DEVICES PRIOR TO THE COMMENCEMENT OF CONSTRUCTION ACTIVITIES AND AS DIRECTED BY THE SUPERINTENDENT.
9. INSPECT SEDIMENT CONTROL STRUCTURES WEEKLY AND AFTER STORMS FOR STRUCTURAL DAMAGE OR CLOGGING. REMOVE ALL SILT TO MAINTAIN STORAGE CAPACITY. REPAIR ANY DAMAGE AND MAKE GOOD TO THE SATISFACTION OF THE SUPERINTENDENT.
10. SILT REMOVED FROM SILT TRAPS SHALL BE DUMPED AT A LOCATION THAT PREVENTS SILT RE-ENTERING THE SYSTEM. LOCATION SHALL BE TO THE APPROVAL OF THE SUPERINTENDENT.
11. ON COMPLETION OF INLET PITS, INSTALL AGG. PIPE IN GEOTEXTILE SOCK, FILLED WITH AGGREGATE, ACROSS THE OPENING. ENSURE PIPE COVERS THE FULL OPENING OF THE PIT. REMOVE ON COMPLETION OF THE WORKS. SAND BAGS ARE NOT AN ACCEPTABLE ALTERNATIVE.
12. DIVERT ALL STORMWATER RUNOFF AWAY FROM DISTURBED GROUND AND INTO INTACT NATIVE VEGETATION OR THE STORMWATER DRAINAGE SYSTEM.
13. COMPLETE ALL FINAL EROSION PREVENTION MEASURES PRIOR TO FINAL HANDOVER INSPECTION. MAINTAIN ALL CONTROL DEVICES UNTIL THE END OF THE DEFECTS LIABILITY PERIOD.
14. ADDITIONAL EROSION CONTROLS MAY BE REQUIRED DURING CONSTRUCTION AS DETERMINED BY THE SUPERINTENDENT IN CONSULTATION WITH NREATAS.
15. ANY CHANGES TO THE EROSION AND SEDIMENT CONTROL PLAN SHALL BE SUBMITTED BY THE CONTRACTOR TO SUPERINTENDENT FOR APPROVAL PRIOR TO COMMENCEMENT.
16. ALL EROSION AND SEDIMENT CONTROL MEASURES SHALL BE UNDERTAKEN TO THE SATISFACTION OF THE SUPERINTENDENT.

WARNING
BWARE OF UNDERGROUND SERVICES
 The locations of underground services are approximate only and their exact position should be proven on site. No guarantee is given that all existing services are shown.

PRELIMINARY

B 23/9/11 RH ISSUED FOR APPROVAL		COPYRIGHT The concepts and information contained in this document are the copyright of BYRNE DESIGN. Use or copying of the document in whole or in part without the written permission of BYRNE DESIGN constitutes an infringement of copyright.	CLIENT MEATENG PTY LTD	byrne design ABN 78 124 388 192 P.O.Box 43420 Casuarina NT 0811 Ph. 08 89418113 Fax: 08 89418201	PROJ. MANAGER DRAWN MDW CHECKED DESIGNED SPB CHECKED	TITLE DARWIN ABATTOIR ACCESS, STORMWATER DRAINAGE AND EROSION AND SEDIMENT CONTROL - SHEET 1 OF 3
A 21/9/11 MDW ISSUED FOR COMMENT					SCALE AS SHOWN PROJECT No 1197 DRAWING No 1197-SK01 AMDT B	
No	DATE INITIAL AMENDMENT					



PRELIMINARY

Scale 1:2000 A1 0 20 40 60 80 100 Metres

No	DATE	INITIAL	AMENDMENT
B	23/9/11	RH	ISSUED FOR APPROVAL
A	21/9/11	MDW	ISSUED FOR COMMENT

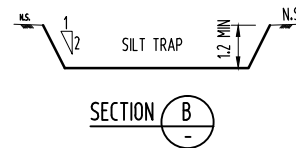
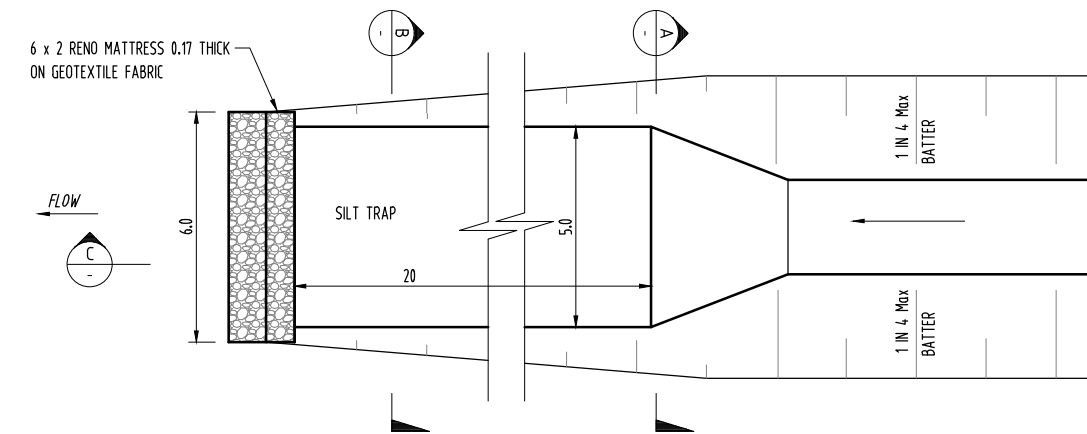
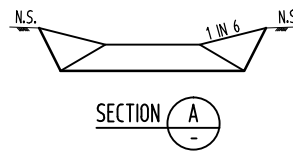
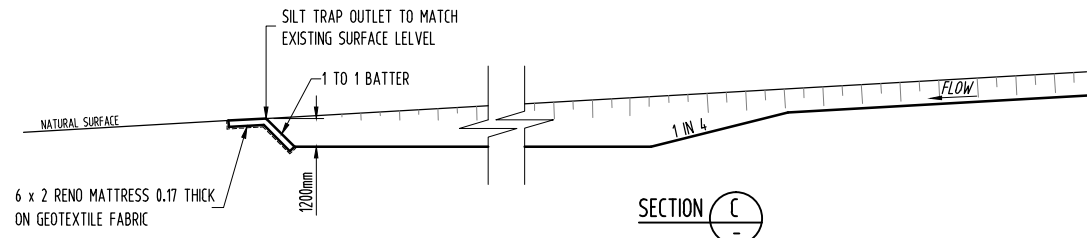
COPYRIGHT
The concepts and information contained in this document are the copyright of BYRNE DESIGN. Use or copying of the document in whole or in part without the written permission of BYRNE DESIGN constitutes an infringement of copyright.

CLIENT
MEATENG PTY LTD

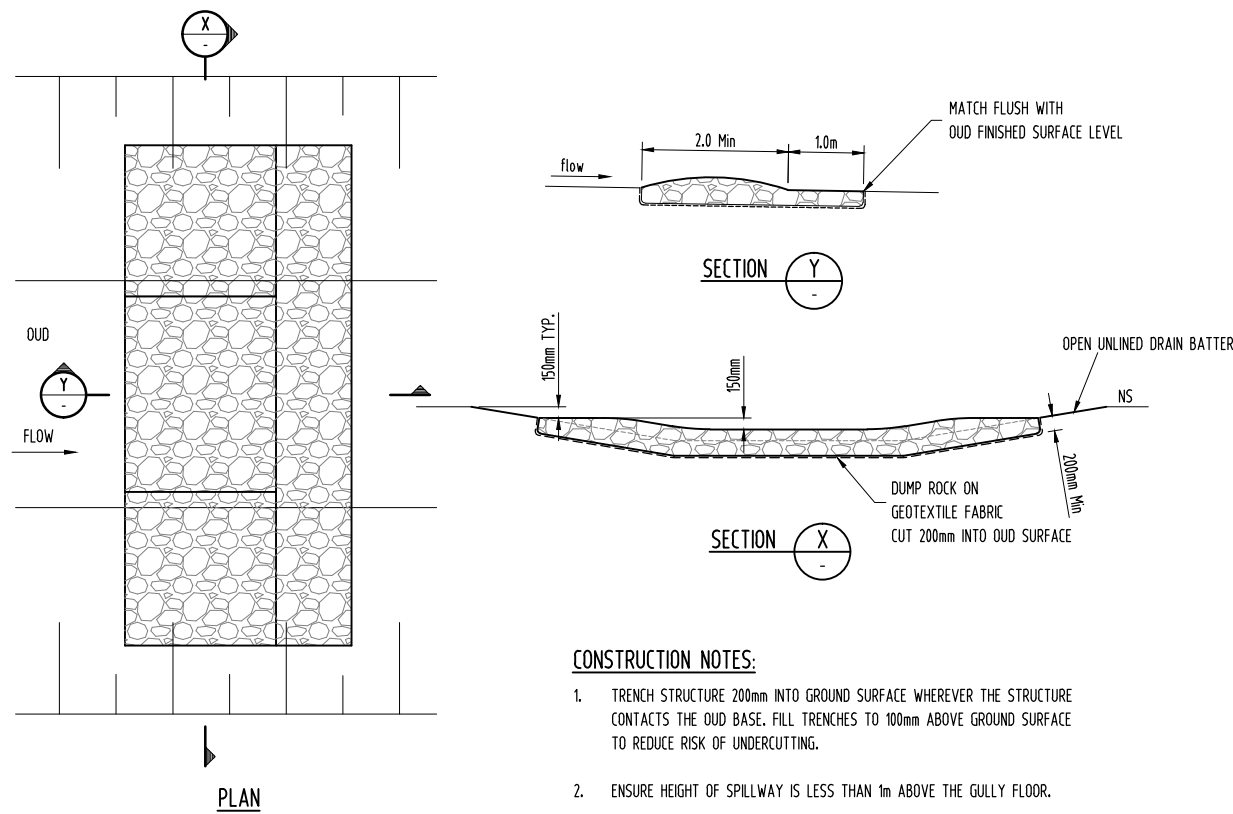
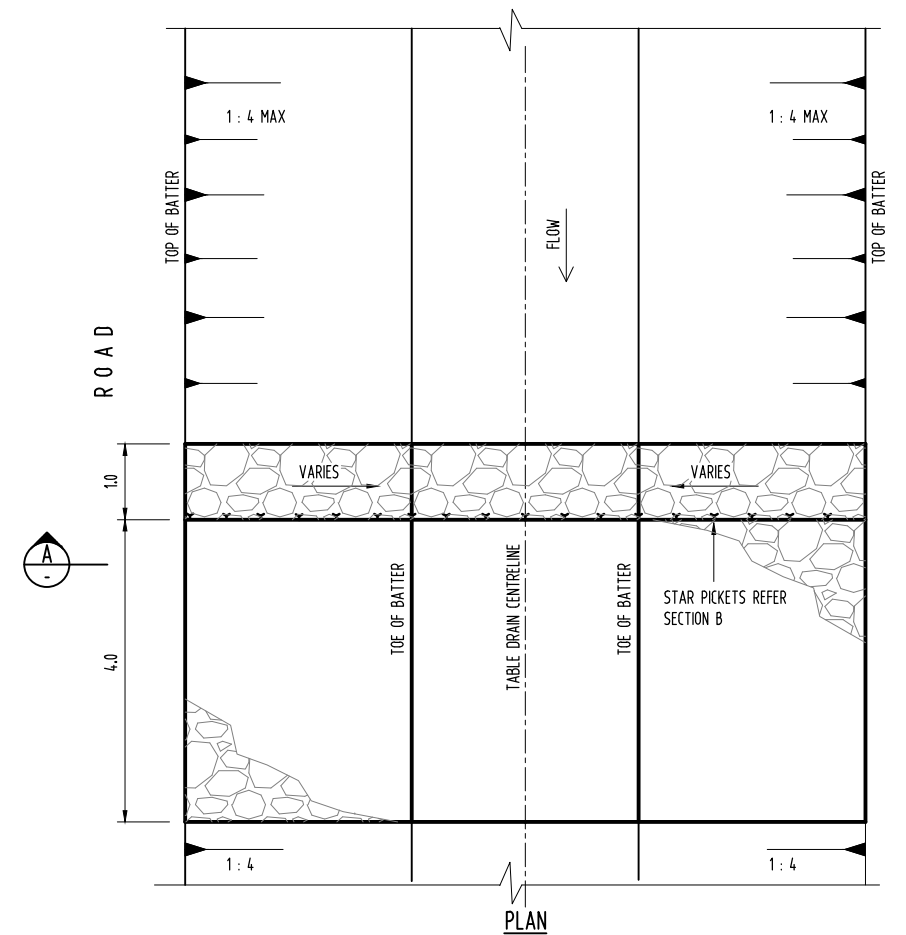
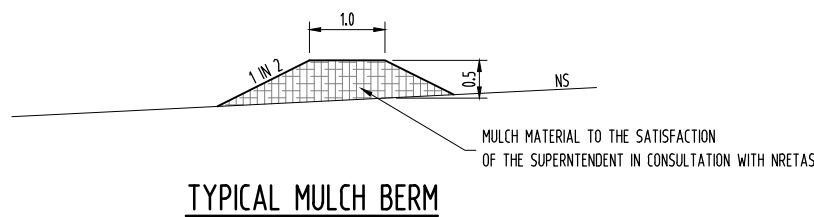
byrne design
ABN 78 124 388 192
P.O.Box 43420 Casuarina NT 0811
Ph. 08 89418113 Fax: 08 89418201

PROJ. MANAGER	DRAWN	CHECKED
	MDW	
	SPB	

TITLE	SCALE	PROJECT No	DRAWING No	AMDT
DARWIN ABATTOIR ACCESS, STORMWATER DRAINAGE AND EROSION AND SEDIMENT CONTROL - SHEET 2 OF 3	AS SHOWN	1197	1197-SK02	B

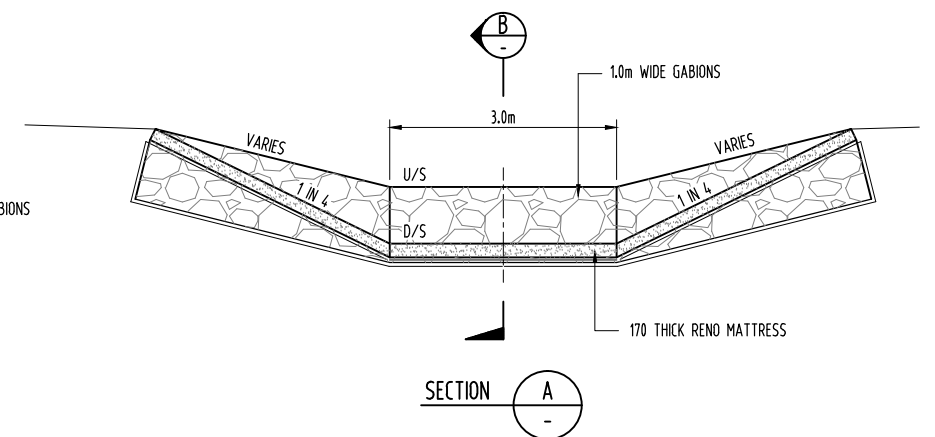
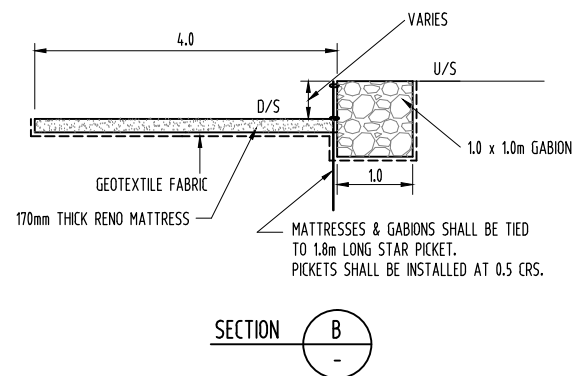


PLAN
TEMP SILT TRAP DETAIL
N.T.S.



- CONSTRUCTION NOTES:**
- TRENCH STRUCTURE 200mm INTO GROUND SURFACE WHEREVER THE STRUCTURE CONTACTS THE OUD BASE. FILL TRENCHES TO 100mm ABOVE GROUND SURFACE TO REDUCE RISK OF UNDERCUTTING.
 - ENSURE HEIGHT OF SPILLWAY IS LESS THAN 1m ABOVE THE GULLY FLOOR.

ROCK CHECK DAM DETAIL
N.T.S.



DROP STRUCTURE DETAIL
N.T.S.

PRELIMINARY

No	DATE	INITIAL	AMENDMENT
B	23/9/11	RH	ISSUED FOR APPROVAL
A	21/9/11	MDW	ISSUED FOR COMMENT

COPYRIGHT
The concepts and information contained in this document are the copyright of BYRNE DESIGN. Use or copying of the document in whole or in part without the written permission of BYRNE DESIGN constitutes an infringement of copyright.

CLIENT
MEATENG PTY LTD

byrne design
ABN 78 124 388 192
P.O.Box 43420 Casuarina NT 0811
Ph. 08 89418113 Fax: 08 89418201

PROJ. MANAGER	DRAWN	CHECKED
	MDW	
	SPB	

TITLE
**DARWIN ABATTOIR
ACCESS, STORMWATER DRAINAGE AND
EROSION AND SEDIMENT CONTROL - SHEET 3 OF 3**

SCALE	PROJECT No	DRAWING No	AMDT
AS SHOWN	1197	1197-SK03	B